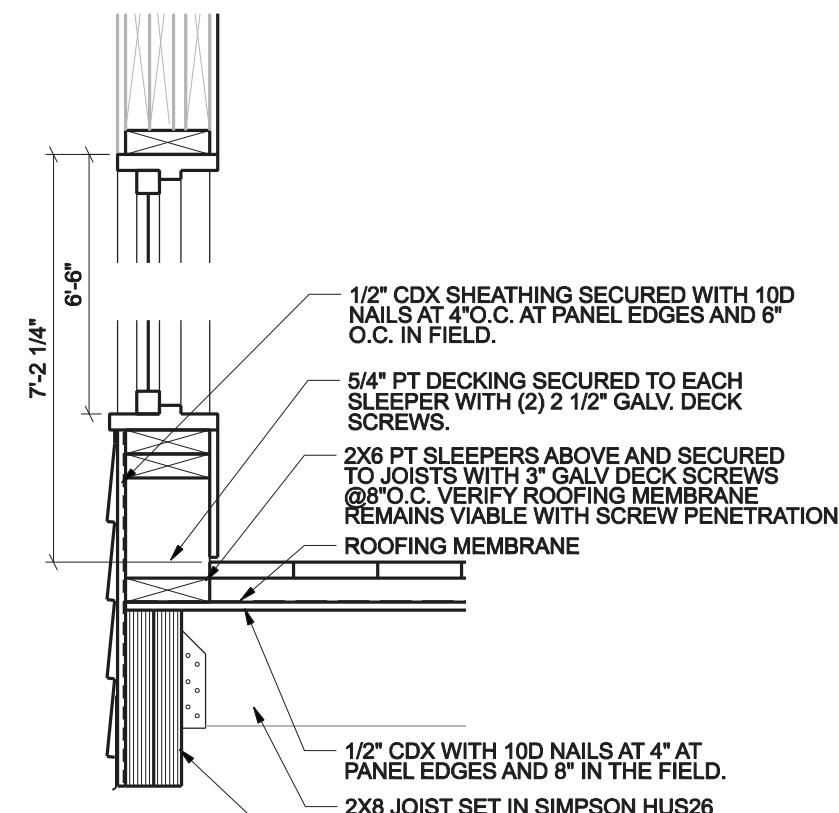
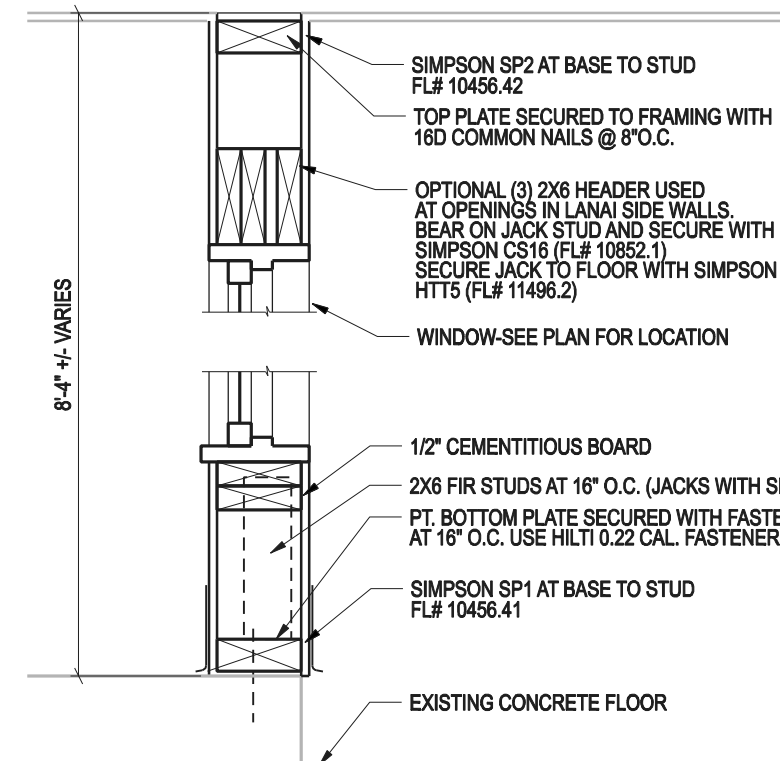


REPLACE EXISTING DECK JOISTS AS NEEDED.  
REMOVE ALL DECAYED MATERIAL.



REPLACE EXISTING DECK JOISTS AS NEEDED.  
REMOVE ALL DECAYED MATERIAL.



DECK SECTION DETAIL

SCALE: 1" = 1'-0" 1

UPPER INFILL WALL SECTION

SCALE: 1" = 1'-0" 2

TYPICAL WALL SECTION

SCALE: 1" = 1'-0" 3

**PROJECT DATA:**

FIRE DAMAGED  
PROJECT TYPE - LEVEL II ALTERATION  
CONSTRUCTION = TYPE V  
USE GROUP = SINGLE FAMILY RESIDENTIAL

**DESIGN DATA:**

BASE WIND SPEED = 130  
BUILDING CATEGORY = II  
WIND IMPORTANCE FACTOR = 1.0  
WIND EXPOSURE = C  
INTERNAL PRESSURE COEFFICIENT = +/- 0.18  
COMPONENT AND CLADDING:  
EFFECTIVE WIND AREA = 10  
ZONE WIND LOADS:  
1 = 15.0 -32.5  
2 = 15.0 -23.1  
3 = 15.0 -26.3  
4 = 27.5 -30.5  
5 = 27.5 -30.5  
6 = 48.9  
OH3 = -77.9

**GENERAL NOTES:**

1. ALL WORK SHALL COMPLY WITH ALL APPLICABLE CODES AND STANDARDS REQUIRED BY LAW.
2. ALL WORK SHALL COMPLY WITH THE FOLLOWING CODES:  
2007 FLORIDA BUILDING CODE  
2009 FLORIDA BUILDING CODE UPDATES  
2007 MECHANICAL CODE  
2008 NATIONAL ELECTRIC CODE  
2007 FLORIDA FIRE PREVENTION CODE

**SPECIFICATIONS**

IMPACT PROTECTION SHALL BE PROVIDED BY 1/2" CDX SECURED WITH TAPCONS AT 8" O.C. AROUND PERIMETER. PANELS SHALL BE CUT AND STORED ON SITE.

**DRAWING INDEX**

A1.00 DEMO AND DATA  
A1.01 PLANS AND DETAILS

**CONSULTANTS:**

**QUINTAIROS RESIDENCE**

3216 S MARITANA DRIVE  
ST PETE BEACH, FLORIDA

**PERMIT SET**

ISSUE DATE: 06/13/2011

**REVISIONS**

MARK	DATE	DESCRIPTION
▲		
▲		
▲		

CHRISTOPHER PHILLIP MILLER, ARCHITECT  
LICENSE NUMBER AR 91601  
218 N JEFFERSON AVE, CLEARWATER, FL

DATE STAMP:

ISSUE:

PROJECT NO:

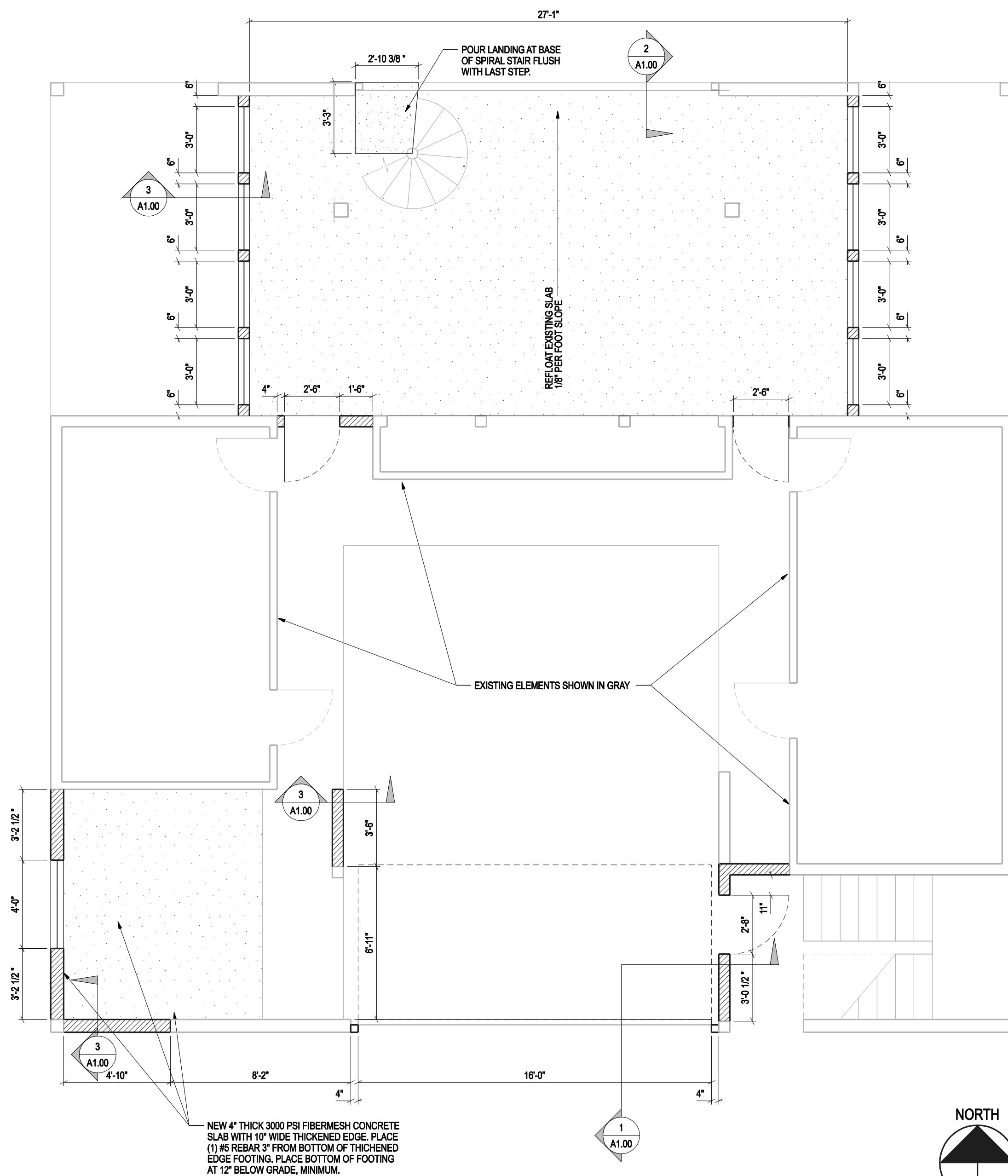
CAD DWG FILE:

DRAWN BY:

CHECKED BY:

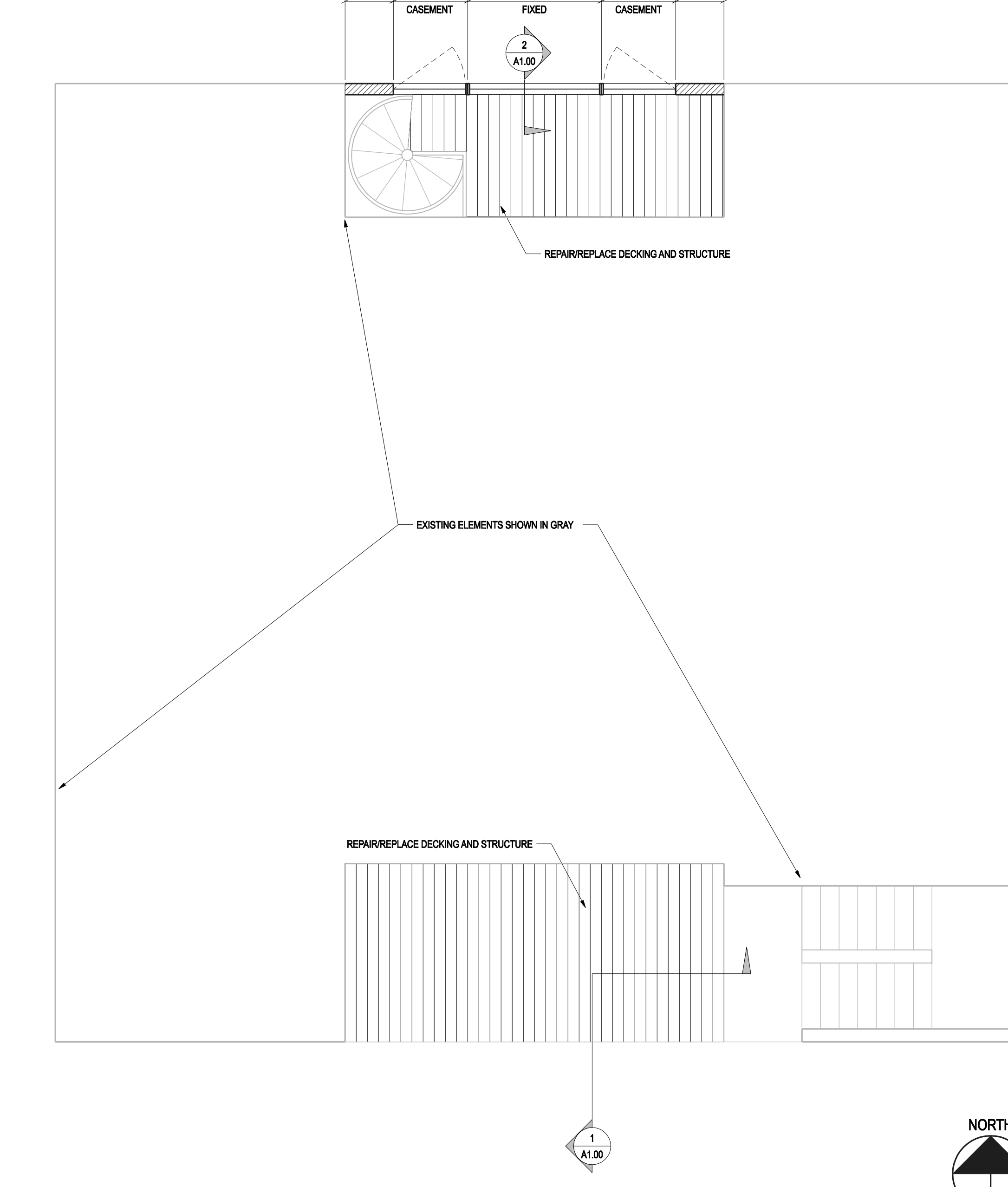
**PLANS/DETAILS**

**A1.00**



EXISTING PLAN WITH DEMO

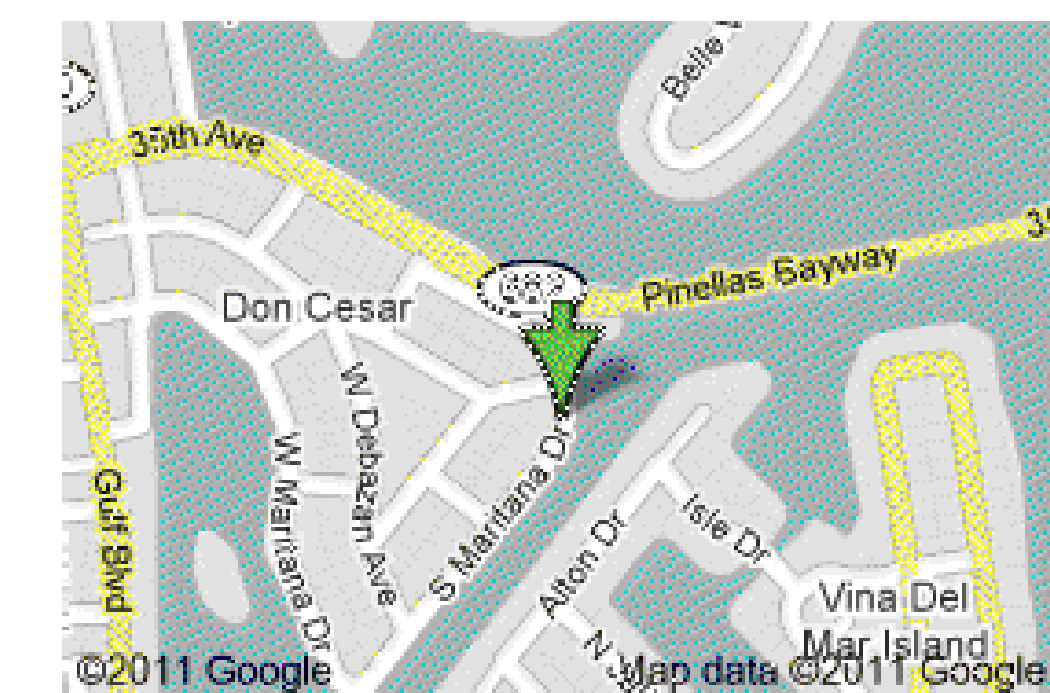
SCALE: 1/4" = 1'-0" 4



REPAIR PLAN

SCALE: 1/4" = 1'-0" 5

**LOCATION MAP**



©2011 Google Map data ©2011 Google